

MINI MICRO-SWITCH

MMS-70

SPST-SWITCH FOR WAFER SENSING

FEATURES

- .070 thick
- Gold alloy contacts
- One millimeter stroke
- Selectable plunger length (customer performed)
- Hermetically sealed and booted (MS-71)

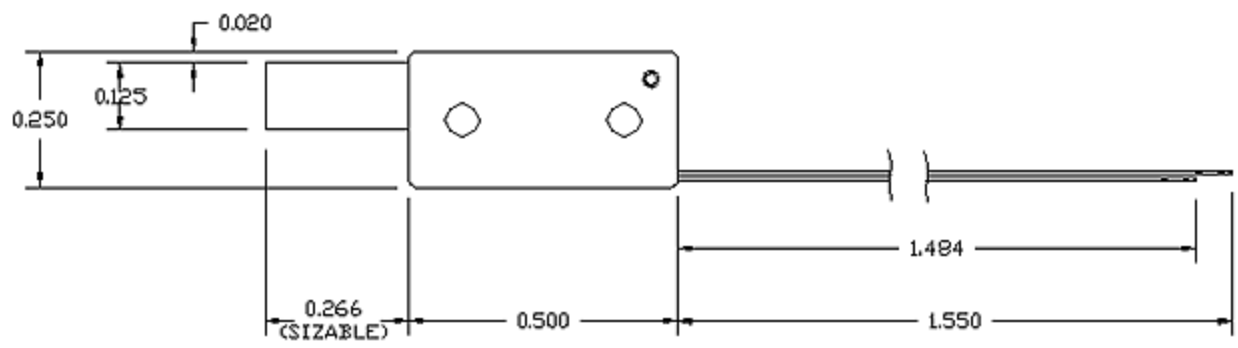
The MMS-70 series of Mini Micro-Switches were designed to meet the specific needs of the semiconductor industry. Compact size and reliable operation for positive wafer sensing are achieved by this unique design. Due to the need for sensing the wafers' edge and to do so in the horizontal plane the MMS-70 was made only .070 inches thick (1.75 mm). This compact size permits employment in applications where space is at a premium.

In addition to size and performance the switch plunger can be sized by the user for any reach dimension his design requires. The use of a sizing tool allows the user to customize the plunger length for his specific application. Typical contact resistance is 60 milliohms and part life is typically one million cycles plus. The switch can be mounted on pins or using 0-80 screws or both.

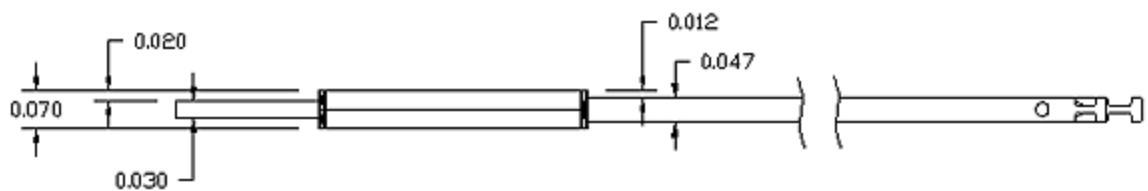
EEI END-EFFECTORS, INC.

1230 Coleman Avenue
Santa Clara, California 95050-4338
408/727-0100 FAX 408/727-2100

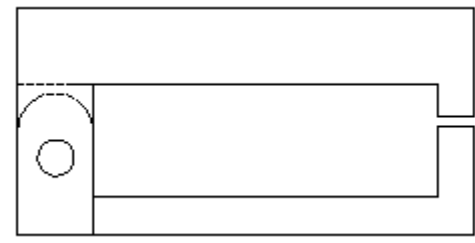
"Giving Robotics A Hand"



MS-70 UNSEALED (NOT BOOTED)



MS-71 SEALED AND BOOTED



PART NO: SST-10

SIZING TOOL