



# TALON® VI FAIL-SAFE

TAL-VI SERIES

## GLASS MASK SIDE GRIPPING SMART END-EFFECTORS

### FEATURES

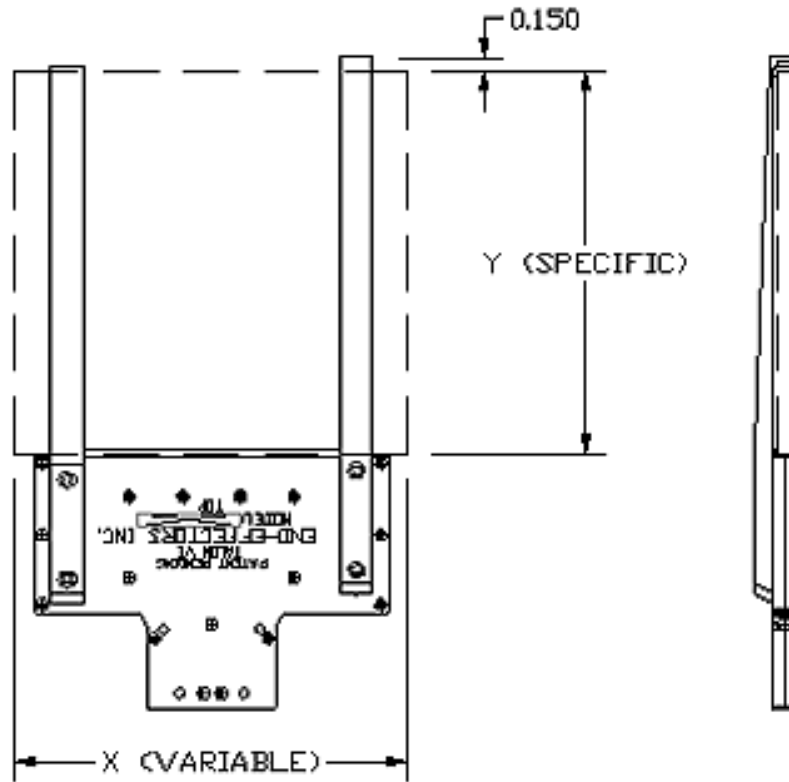
- Fail-safe design - won't drop substrate
- Side gripping - no top or bottom contact
- Pressure activated - high clamping force
- Vacuum purged - particle collection
- Variable clamping force - no substrate damage
- Numerous sizes - virtually any size

The Talon VI® side gripping end-effectors are designed for heavy parts of thick cross-section. This product is an out-growth of previous designs and can handle masks of thickness up to .250 inches and a size of 13.0 inches square. The design permits customization without regard to the exclusion zone size dictated by current specifications. Clamping arms for this device are replaceable and interchangeable. The replaceable arms permit customization of the Talon VI for most applications. Clamping force can also be preset to optimize for the type of part being handled.

**EEI** END-EFFECTORS, INC.

1230 Coleman Avenue, Santa Clara, California 95050-4338  
408/727-0100 FAX 408/727-2100 www.fjaind.com

*"Giving Robotics A Hand"*



**PART NUMBER FORMAT: TAL-VI - VERSION - OPTIONS**

**EXAMPLE: TAL-VI-09-0**

VERSION:	DASH NO.	MASK DEPTH (Y)	X DIMENSION	t DIMENSION
	-06	6.00 INCHES	VARIABLE	
	-08	8.00 INCHES	VARIABLE	
	-09	9.00 INCHES	VARIABLE	
	-13	13.00 INCHES	VARIABLE	

OPTIONS: -0 : None  
 -1 : ESD Dissipation